

OptiQmax Series Broadband Access Multiplexer

The OptiQmax 4200 offers the richest functionality, most extensive management capability and has the best performance in its class.

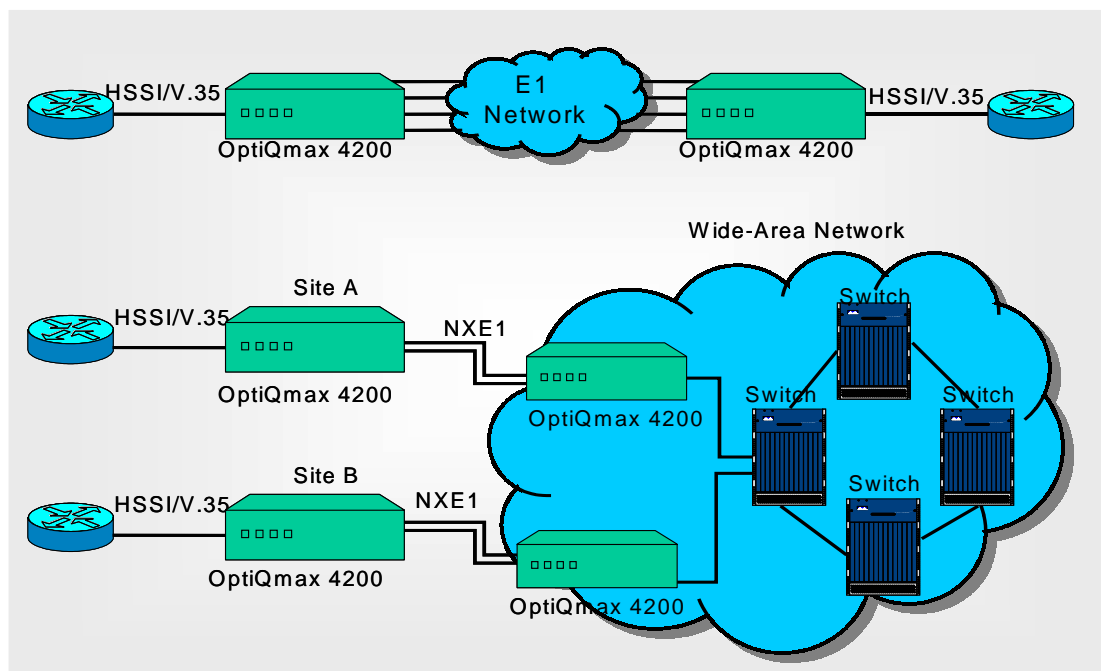


OptiQmax 4200 Multiple E1 Inverse Multiplexer

OptiQmax 4200 Inverse Multiplexer is a high-speed WAN access equipment that allows you to connect router or data terminal equipment to multiple E1 circuits. By bundling the circuits together, you can have broadband access between two sites without having to pay extra for a T3 or E3 link. The OptiQmax 4200 Inverse Multiplexer takes the bitstream from a router and multiplexes it onto one to four E1 lines, providing aggregate data rates of up to 8 Mbps(4xE1).

- Support auto baud rate fall back and restore
- Powerful web-based network management as well as SNMP management
- User-programmable data port speed
- Support E1s differential delay up to 499ms for single trip
- Reliable, flexible and cost effective

Application Diagram



SPECIFICATIONS

Network Port

Number of ports	1,2,3 or 4
Line Rate	E1 (2.048 Mbps \pm 50 ppm)
Line code	AMI or HDB3
Framing	ITU-T G704, G706, G732
Timing source	Network (Loop), internal
Jitter	ITU-T G.823
Impedance	75 \pm 5% unbalanced, or 120 \pm 5% balanced
Connectors type	BNC or RJ48C (short haul or long haul)

Data Port

Interface Type	RS449,EIA530,V.35, X.21 or HSSI
Line Rate	N \times 1.952 Mbps, (N=1,2,3 or 4)
Connectors type	DB25,MS34,HSSI

COMM Ports

Protocol	VT-100 compatible
Console port	two RS232(EIA561) port for direct VT-100 terminal and dial-up modem
Ethernet port	10/100M Base-T(RJ45) port auto-sensing for SNMP management
Front Panel	2-line x 24-character LCD display

Power Requirements

Voltage	90~264 VAC, 47 Hz to 63 Hz or -48 VDC, 0.5 amps maximum(-42 VDC to -72 VDC) optional
---------	---

Diagnostics

Loopbacks	DTE Payload Loopback, Remote Line/Payload Loopback
I.M. diagnostics	Framing error records, Loss of Frame, FIFO overrun/underrun Loss of Alignment, Differential Delay measurement, BERT

Miscellaneous

E1 alignment	1 to 4 E1s, automatic mapping in any pattern
Differential delay	Up to 499ms
Round trip	
Differential delay	Up to 998ms
Facility data link	4Kbps

Physical

Dimensions	1 RU, rack mountable, Desk-top stackable; brackets for 19- or 23-inch rack
------------	---

Environmental

Operating temperature	0 ~ +50
Storage temperature	-35 ~ +85
Relative humidity	0% ~ 95% non-condensing
Altitude range	-61m(-200 ft) to 3,048 m(10,000 ft)

Certifications

EMI/EMC
CISPR class A
FCC

Fiber Logic Communications, Inc.
5F-3, No.9, Prosperity Road One
Science-Based Industrial Park
Hsinchu, Taiwan
Tel:886-3-5638889
Fax:886-3-5638899